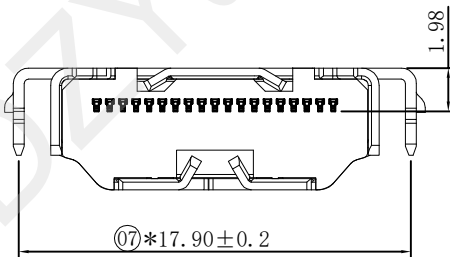
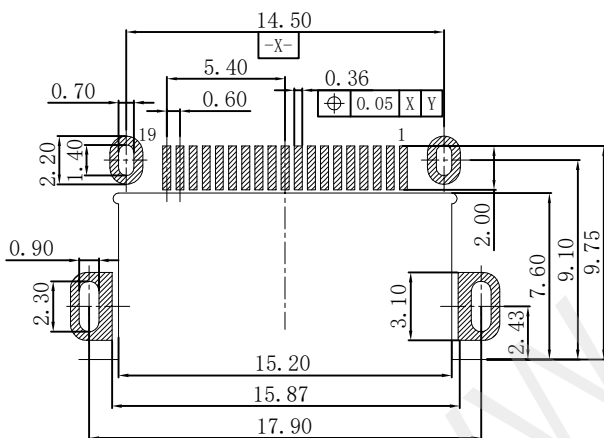


规格说明: Specifications:  
 电气特性: Electrical:  
 接触阻抗: Change from initial value  
 30mΩ maximum  
 耐电压: Dielectric Withstanding Voltage  
 500V AC AT seaLevoL  
 绝缘电阻: Insulation Resistance:  
 100MEGA ohms MIN  
 物理性能: Mechanical:  
 插拔力: Connector Mate and Unmate Force  
 Insertion force: 4.5kgf(MAX)  
 Withdrawal force: 1.0kgf~4.0kgf  
 寿命测试: Durability: 5000cycles



RECOMMEND P. C. B LAYOUT (THICKNESS 1.6mm)  
 (COMPONENT SIDE) TOLERANCE ±0.05mm

3	SHELL	K7(高碳钢)/不锈钢SUS304	Ni PLATED
2	TERMINAL	COPPER ALLOY	Au/Tin PLATED
1	HOUSING	LCP/BLACK	UL94V-0
NO.	PART NAME	DESCRIPTION	REMARK



### 深圳市华宇创精密电子有限公司

TOLERANCE: X.X ±0.30 X.XX ±0.25 X.XXX ±0.15 X.' ±2' X.X' ±0.5'	DRAWN BY : 陈一鸣	DATE : 2014-02-23	PART NAME: HDMI A TYPE 正向沉板CL-0.8mm	
	CHECKED BY: 马跃	DATE : 2014-02-23	PART NO. HYC194-HDMI A19-198	MOLD NO.
UNIT: mm [inch] SCALE:1:1 SIZE: A4	APPROVED BY: 邱敏	DATE : 2014-02-23	DRAW NO: HYC-2604281053	SHEET NO. 1 OF 1